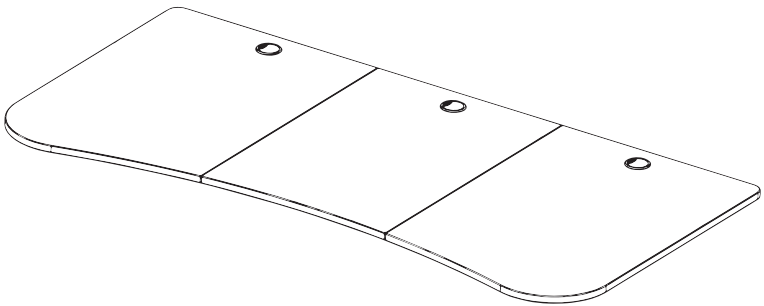


Black 63" x 32" Table Top

Instruction Manual



SKU: DESK-TOP1B



Scan the QR code with your mobile device or follow the link for helpful videos and specifications related to this product.

<https://vivo-us.com/products/desk-top1b>

GET IN TOUCH | Monday-Friday from 7:00am-7:00pm CST



help@vivo-us.com



www.vivo-us.com
Chat live with an agent!



309-278-5303

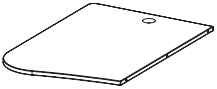
! WARNING!

If you do not understand these directions, or if you have any doubts about the safety of the installation, please call a qualified technician. Check carefully to make sure there are no missing or defective parts. Improper installation may cause damage or serious injury. Do not use this product for any purpose that is not explicitly specified in this manual and do not exceed weight capacity. We cannot be liable for damage or injury caused by improper mounting, incorrect assembly, or inappropriate use.

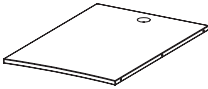
! WARNING: CHOKING HAZARD

SMALL PARTS - NOT FOR CHILDREN UNDER 3 YEARS. ADULT SUPERVISION IS REQUIRED.

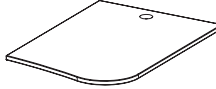
PACKAGE CONTENTS



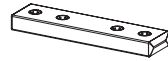
A (x1)
Left Panel



B (x1)
Middle Panel



C (x1)
Right Panel



D (x4)
Support Bar



E (x3)
Cable Management
Cover



S-A (x30)
5/8" Screw



S-B (x6)
Wooden
Dowel Pin

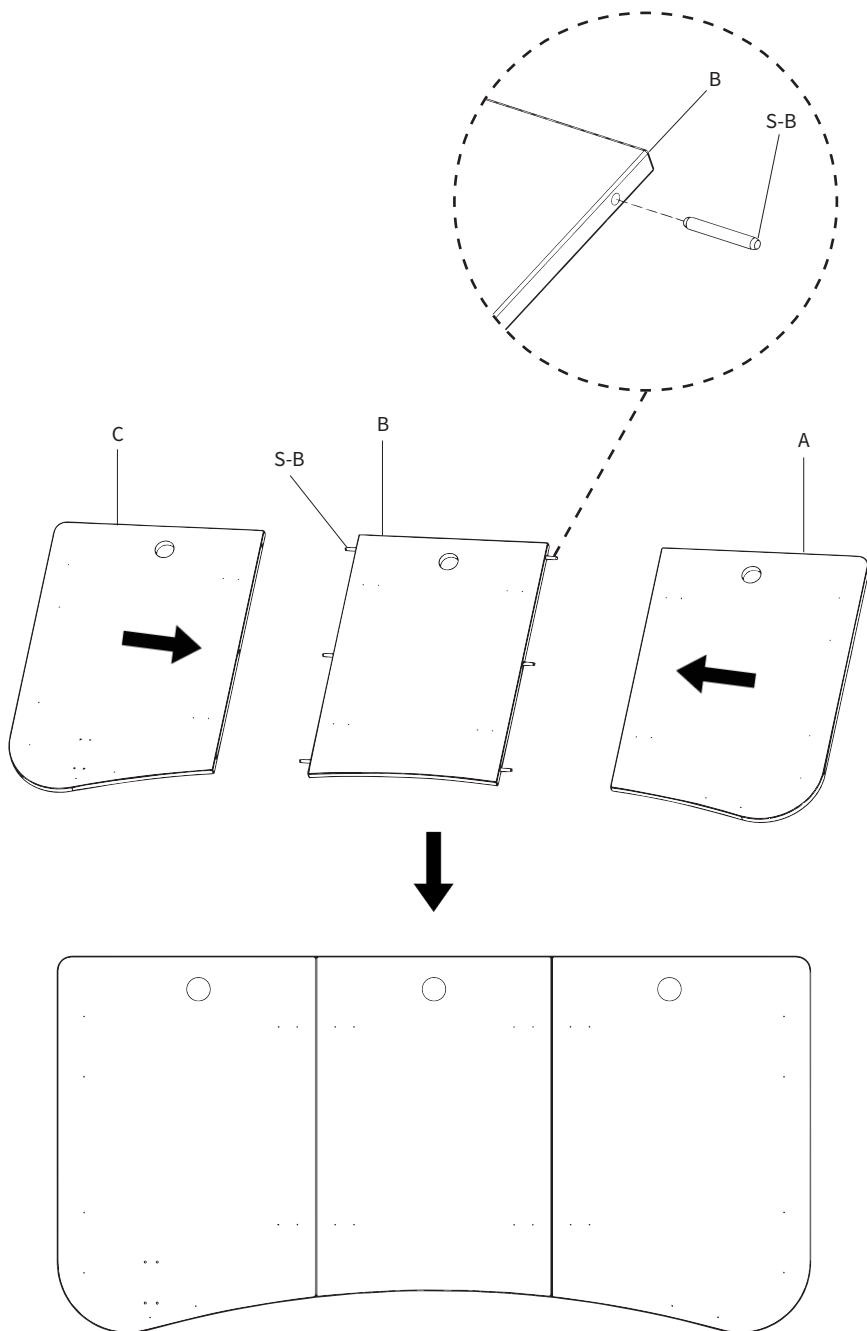
TOOLS NEEDED



ASSEMBLY STEPS

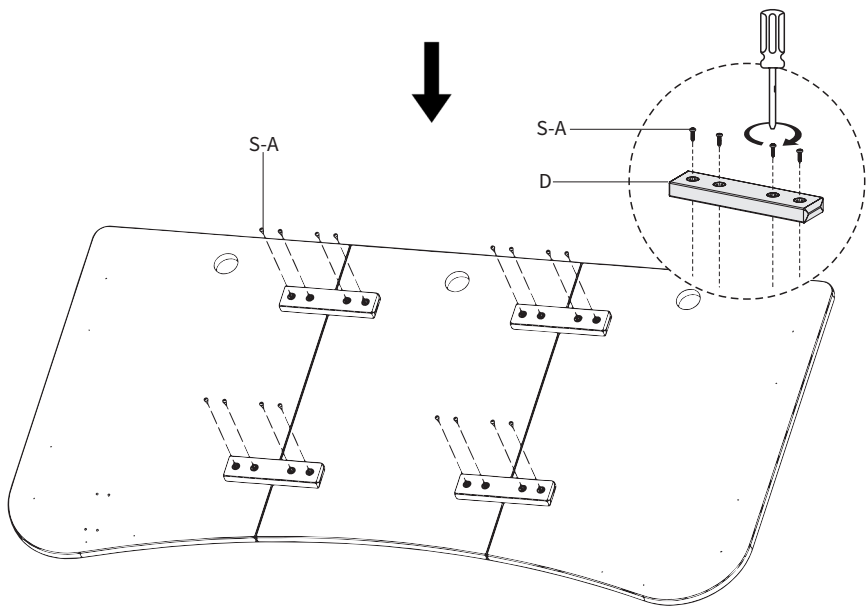
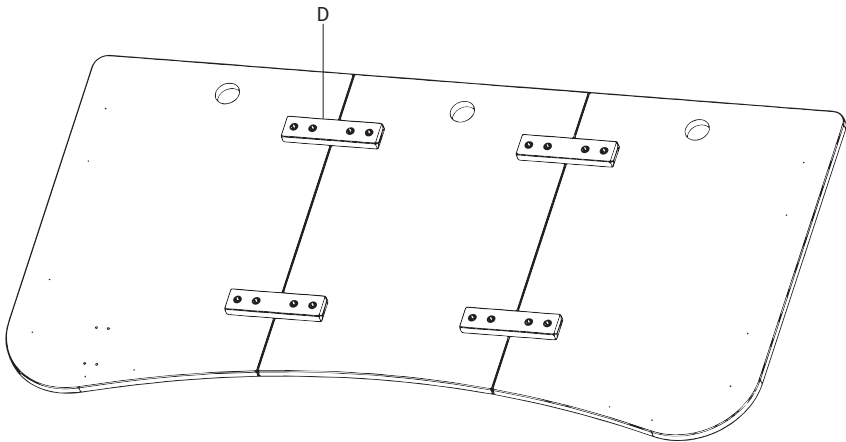
STEP 1

Place Desktop Panels **(A, B, C)** upside down on a protective surface and insert Wooden Dowel Pins **(S-B)** into Middle Panel **(B)**. Connect Left Panel **(A)** and Right Panel **(C)** to Middle Panel **(B)** using Wooden Dowel Pins **(S-B)**.



STEP 2

Attach Support Bars (**D**) to desktop assembly using 5/8" Screws (**S-A**) and a phillips screwdriver.

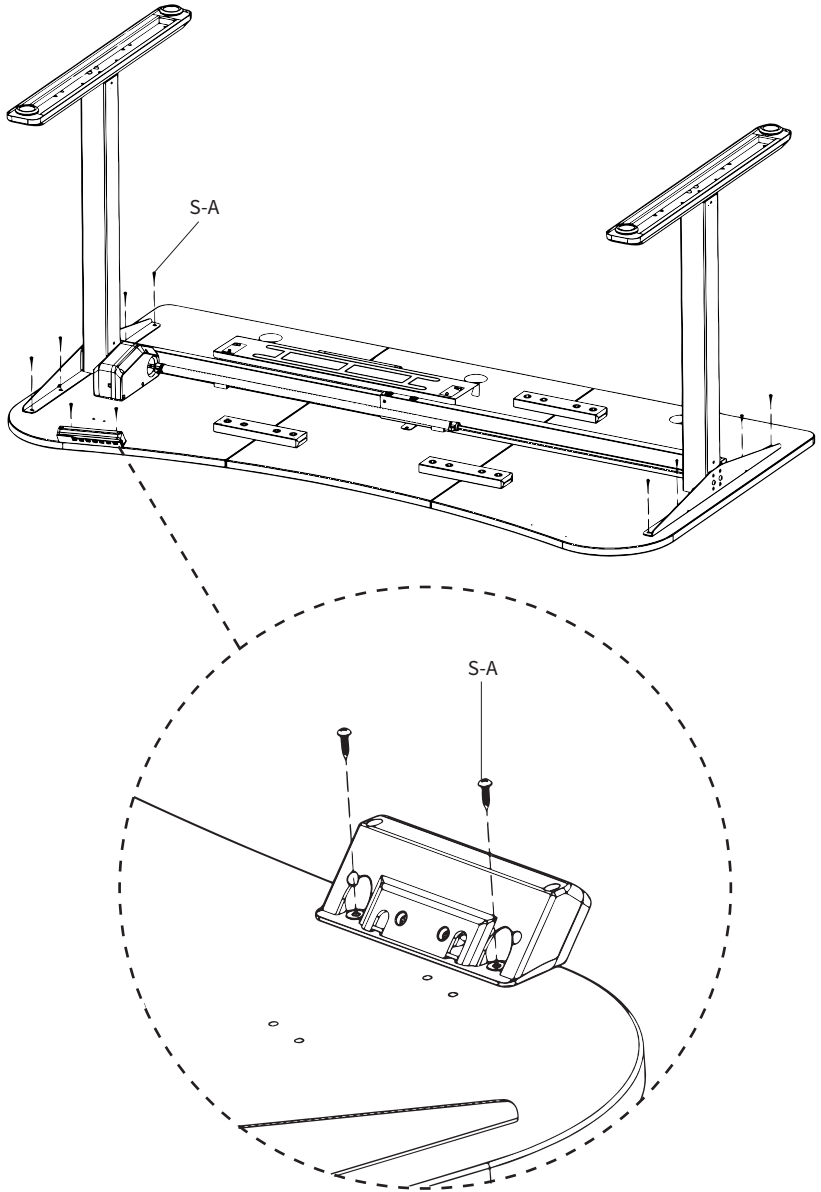


STEP 3

OPTION A: Mounting to an Electric Height Adjustable Desk Base

Place electric height adjustable desk frame upside down on the desktop assembly. Adjust frame width to match desktop mounting holes, and secure frame to desktop assembly using 5/8" Screws (S-A). Mount the control panel to mounting holes on left or right side of the desktop assembly using 5/8" Screws (S-A) included with the desktop.

NOTE: If using a compatible VIVO desk frame, do NOT use the 3/4" screws included with the frame. Use only the 5/8" Screws (S-A) included with this desktop.

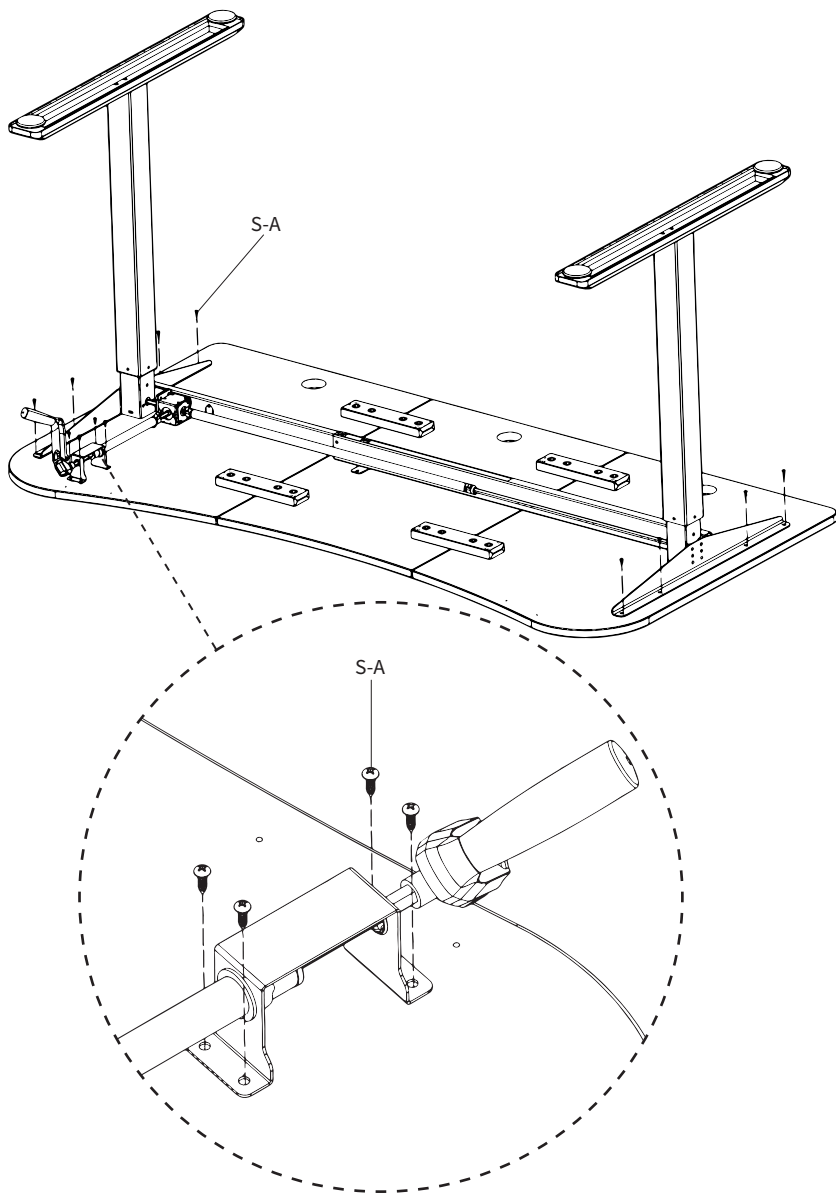


STEP 3 (Continued)

OPTION B: Mounting to a Manual Height Adjustable Desk Base

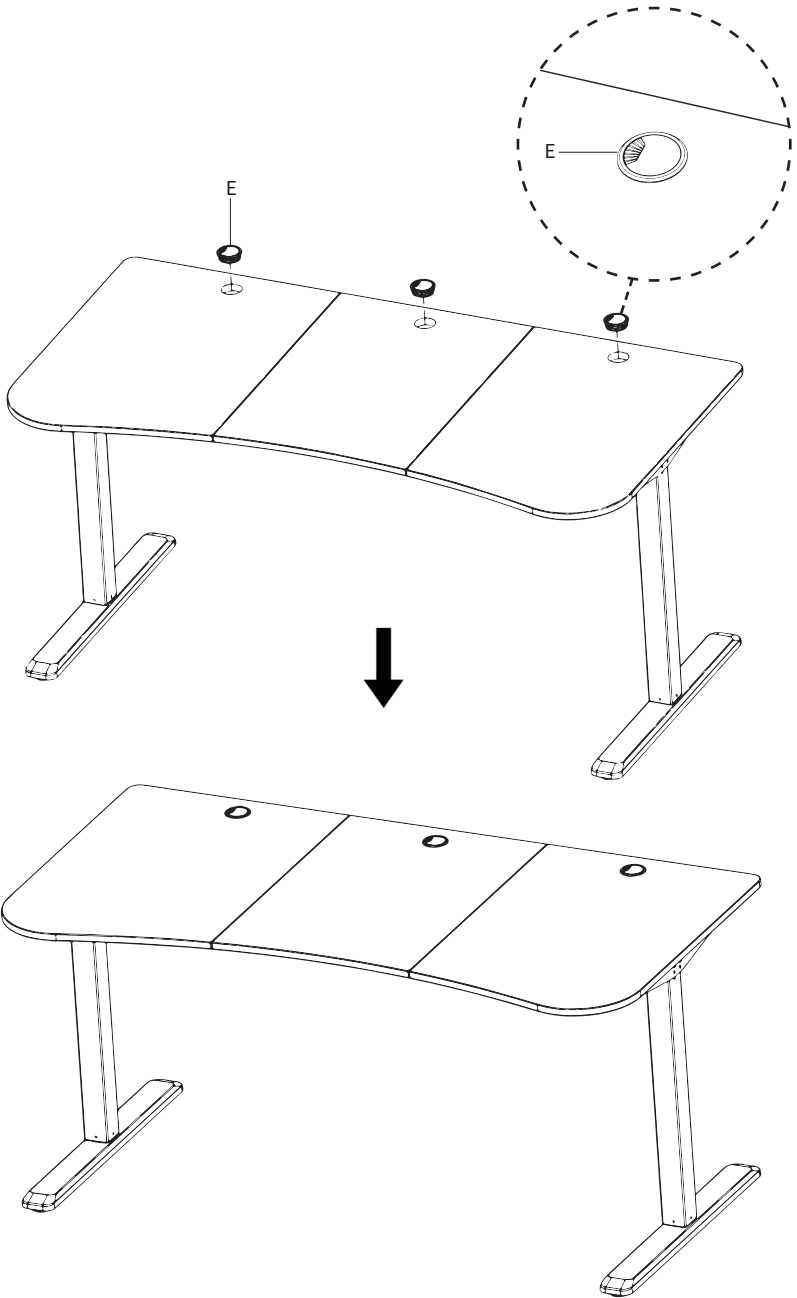
Place manual height adjustable desk frame upside down on desktop assembly, making sure the crank gearbox is on the same side as crank mounting holes in the desktop assembly. Adjust frame width to match desktop assembly mounting holes, and secure frame to desktop assembly using 5/8" Screws (S-A). Align crank support with mounting holes in desktop assembly and secure using 5/8" Screws (S-A).

NOTE: If using a compatible VIVO desk frame, do NOT use the 7/8" screws included with the frame. Use only the 5/8" Screws (S-A) included with this desktop.



STEP 4

Insert Cable Management Covers (**E**) into the holes located on top of the desktop assembly.





Open **Monday - Friday 7:00am - 7:00pm** CST,
our dedicated support team can offer immediate assistance with rapid response times. If any parts are received damaged or defective, please contact us. We are happy to replace parts to ensure you have a fully functioning product.



309-278-5303

AVG. RESOLUTION TIME (*within office hrs*): **5M 4S**



www.vivo-us.com
Chat live with an agent!

AVG. RESOLUTION TIME (*within office hrs*): **< 15 M**



help@vivo-us.com

AVG. RESPONSE TIME (*within office hrs*): **1HR 8M**

- 23% within < 15m
- 38% within < 30m
- 61% within < 1hr
- 83% within < 2hr
- 92% within < 3hr